

Ersatzteilliste – Spare part list
Backmaster
EB 30 05
EB 30XL 05





PLATONSERVICE

8 (800) 500-34-41

www.platonservice.com

Inhaltsverzeichnis - Table of contents

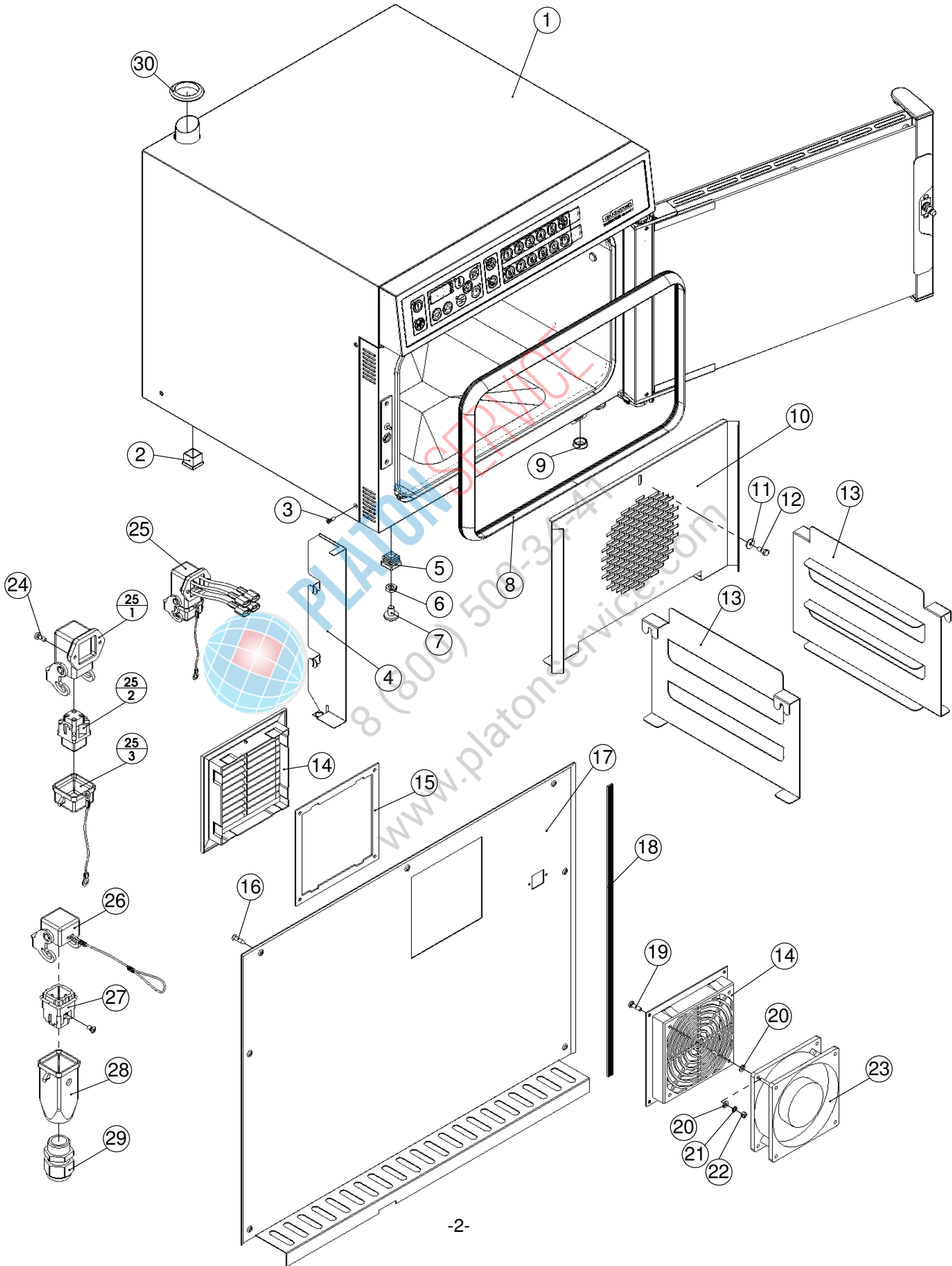
Baugruppe Montageteile lose	Assembly Mounting parts	2
Baugruppe Tür, Türscharnier	Assembly door, hinged door	4
Baugruppe Bedienteil	Assembly control unit	6
Baugruppe Motor Heizung	Assembly motor heating	8
Baugruppe Elektromontageplatte	Assembly electric sheets	10
Baugruppe Abluft, Elektromontageteile lose	Assembly outlet air, electric	12
Baugruppe Wassertank, Ventilstock	Assembly water supply reservoir ,valve support	14
Kabelbaum, Schaltplan, Anschlusskabel, Hilfsmittel	Cable harness, Connection diagram, Connection cable, support	16

**PLATON SERVICE**

8 (800) 500-34-47

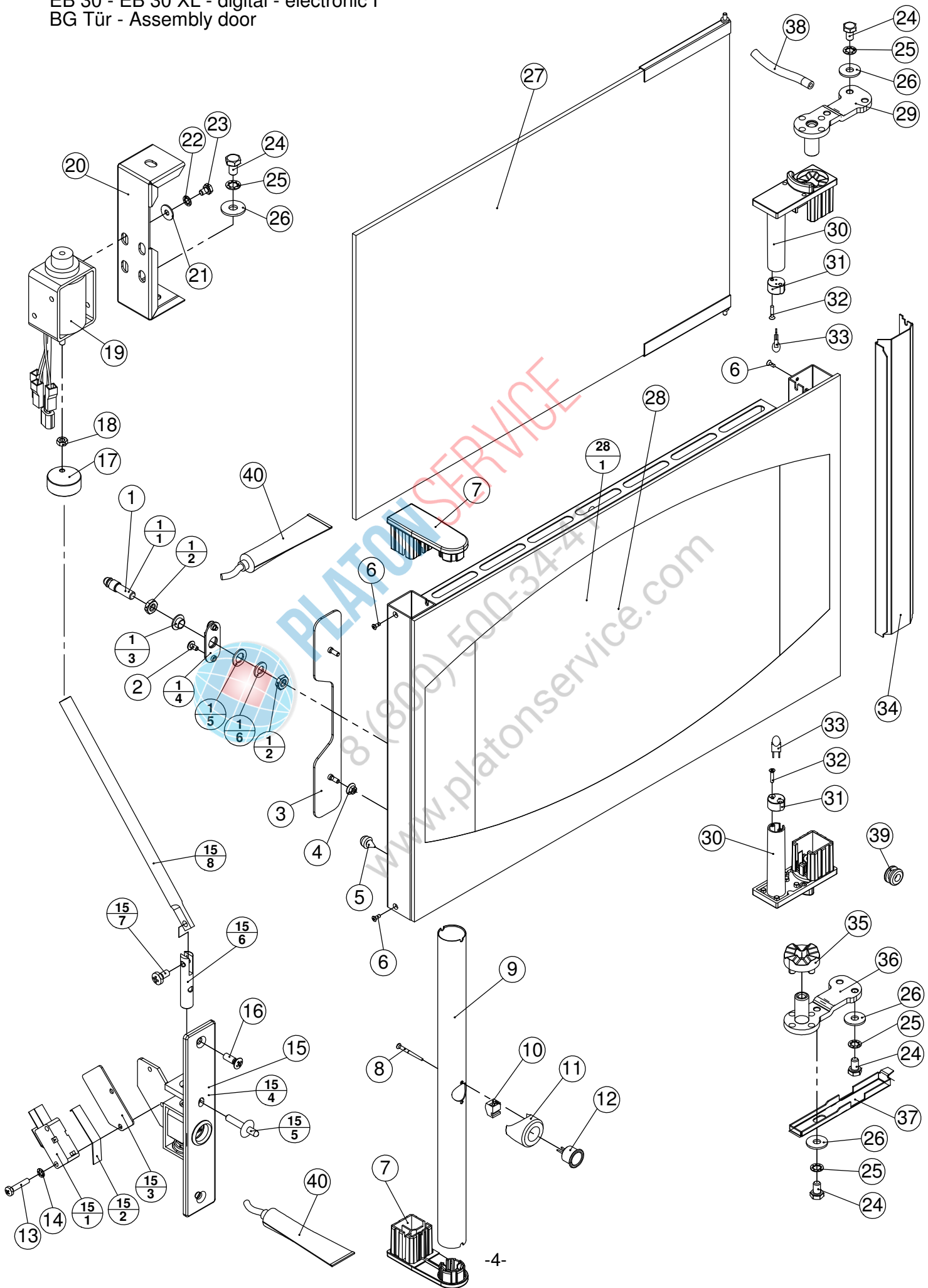
www.platonservice.com

EB 30 - EB 30 XL digital - electronic I
 BG Montageteeile - Assembly mounting parts



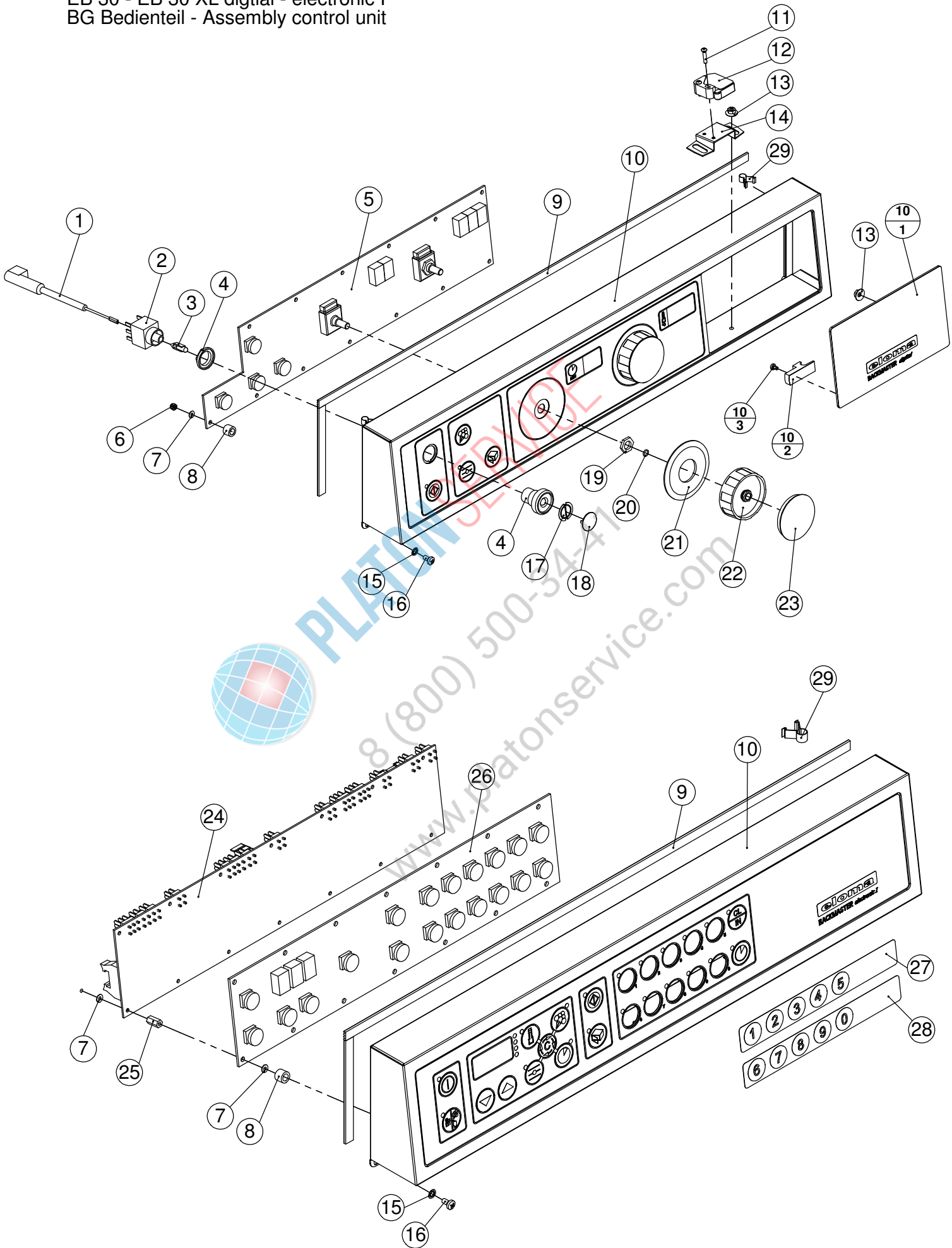
1	877913	Mantel Gehäuse EB 30	Casing EB 30
	877425	Mantel Gehäuse EB 30 XL	Casing EB 30 XL
2	877557	Einschlagstellfuss	Foot
3	000310	Linsensenschraube DIN 966 M4x16 V2A	Rounded countersunk head screw DIN 966 M4x16 V2A
4	877514	Abdeckung Isolierung EB 30	Cover panel insulation
	877522	Abdeckung Isolierung rechts EB 30	Cover panel insulation
5	885215	Einsteckbuchse 4-KT. ROHR 28.5X28.5 M10	Plug socket
6	887250	Sechskantmutter DIN 439 M10 V2A	Hexagon nut DIN 439 M10 V2A
7	885223	Bodenausgleichsschraube rund M10X30	Adjustable feet
8	131385	Türdichtung (1,7m/2m)	Door sealing (1,7m/2m)
9	581194	Verschlusskappe	Cap
10	590355	Luftleitblech EB 30	Air conducting sheet EB 30
	885169	Luftleitblech EB 30 XL	Air conducting sheet EB 30 XL
11	000582	Scheibe DIN 9021 6,4 V2A	Washer DIN 9021 6,4 V2A
12	251194	Sechskantschraube DIN 933 M6X16 V2A	Hexagon head screw DIN 933 M6X16 V2A
13	877433	Einhängegestell EB 30 EB 30 XL	Hang in rack EB 30/EB 30 XL
14	877921	Austrittsfilter EB 30 EB 30 XL 05	Filter EB 30 EB 30 XL 05
15	899593	Dichtung	Gasket
16	011800	Linsenblechschraube DIN 7981 3,9X19	Tapping screw DIN 7981 3,9x19
17	883840	Rückwand EB 30	Back wall EB 30
	879762	Rückwand EB 30 XL	Back wall EB 30 XL
18	587265	Dichtprofil weiss 9 X 3.5 mm (1,5m/1,7m)	Sealing profile (1,5m/1,7m)
19	037311	Linsenschraube DIN 7985 M4x16 V2A	Lens head screw DIN 7985 M4x16 V2A
20	001007	Scheibe DIN 125 A4,3 V2A	Washer DIN 125 A4,3 V2A
21	050849	Zahnscheibe DIN 6797 J4,3 V2A	Lock washer DIN 6797 J4,3 V2A
22	003905	Sechskantmutter DIN 934 M4 V2A	Hexagon nut DIN 934 M4 V2A
23	693456	Axialgebläse	Axial fan
24	010383	Linsenschraube DIN 7985 M3X8 V2A	Lens head screw DIN 7985 M3X8 V2A
25	897213	Steckdose kpl EB 30 05	Socket
25.1	897175	Anbaugehäuse	Mounting case
25.2	897183	Buchseneinsatz	Bush insert
25.3	897167	Schutzdeckel Stecker	Protection box
26	897191	Schutzdeckel Kupplung	Cover panel
27	897140	Kontakteinsatz	Contact insert
28	897159	Tüllengehäuse	Case front
29	580465	Verschraubung PG 16 mit Gegenmutter	Connection PG 16
30	584096	Dichtung Abluftröhr (0,15m)	Gasket drain (0,15m)

EB 30 - EB 30 XL - digital - electronic I
BG Tür - Assembly door



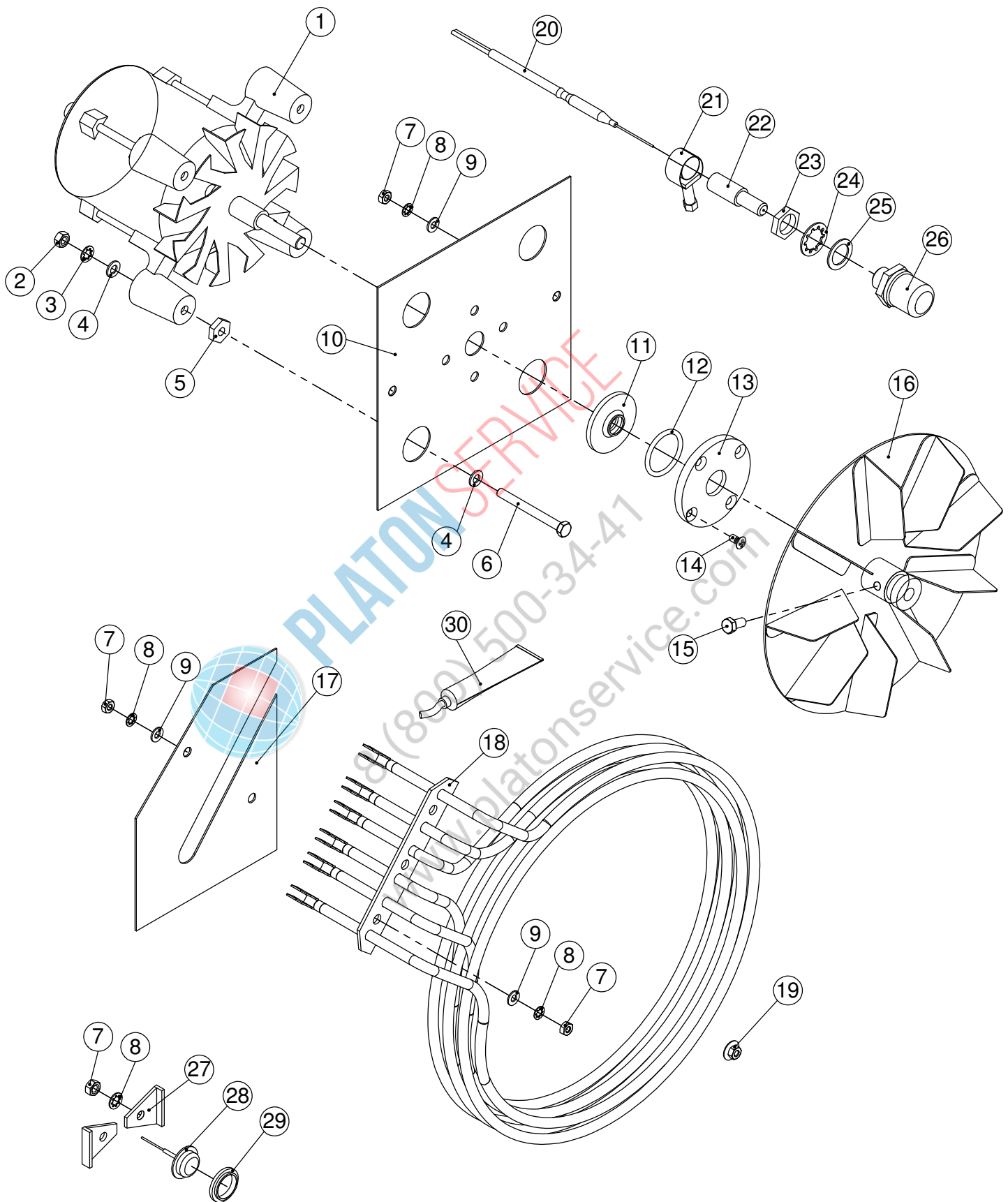
1	887862	Verschlussbolzen mont EB 30	Bolt locking mounted
1.1	693227	Verschlussbolzen EB 30	Bolt locking
1.2	001317	Sechskantmutter niedrig DIN 439 8X1 V2A	Hexagon nut DIN 439 M8X1 V2A
1.3	586188	Bundbuchse	Collar bush
1.4	569879	Montageblech kpl EB 30 EB30	Mounting plate
1.5	586153	Federscheibe DIN 137 A10,5 V2A	Spring washer DIN 137 A 10,5 V2A
1.6	001325	Scheibe DIN 125 A8,4 V2A	Washer DIN 125 A8,4 V2A
2	525316	Becherschraube M4x8 V2A	Cup screw M 4x8 VA
3	878596	Schiebeblech kpl EB 30 EB 30 XL	Movable stop
4	553395	Scheibenmutter M4 V2A	Disk nut M4 V2A
5	596728	Gummipuffer	Rubber
6	885460	Senkblechschraube DIN 7982 B2,9X9,5 V2A	Countersunk flat head tapping screw DIN 7982 B2,9X9,5 V2A
7	877662	Holmkappe Griff EB 30/EB 30 XL	Cap
8	592536	Linsensenkholzschraube DIN 95 M3X35 V2A	Oval head wood screw DIN 95 M3x35 V2A
9	877603	Griffrohr mit Türgriffschalter	Grip with lever switch
	884529	Griffrohr ohne Türgriffschalter	Grip without lever switch
10	593915	Anschlussklemme	Connecting terminal
11	592544	Schaltefassung	Key holder
12	593893	Piezokontakt	Switch
13	162469	Linsenschraube DIN 7985 M3X16 VA2	Lens head screw DIN 7985 M3X16 VA2
14	050822	Zahnscheibe DIN 6797 J3,2 V2A	Lock washer DIN 6797 J3,2 V2A
15	885339	Türverschluss mont Geräteseite	Locking part mounted
15.1	570540	Mikroschalter	Microswitch
15.2	587141	Schaltfahne Mikroschalter	Spring toggle Microswitch
15.3	587133	Isolierplatte Mikroschalter	Insulating slab microswitch
15.4	587125	Türverschluss kpl Geräteseite	Locking part
15.5	587184	Not-Auf Türverschluss	Emergency open
15.6	587168	Gabelgelenk	Fork joint
15.7	001015	Linsenschraube DIN 7985 M4x8 V2A	Lens head screw DIN 7985 M4x8 V2A
15.8	879169	Gestänge Türverschlusse EB 30 EB 30 XL	Switch stick
16	039411	Linsensenschraube DIN 966 M4x12 V2A	Rounded countersunk head screw DIN 966 M4x12 V2A
17	877778	Kupplungsstück Hubmagnet EB 30 EB 30 XL	Coupling lifting magnet
18	003905	Sechskantmutter DIN 934 M4 V2A	Hexagon nut DIN 934 M4 V2A
19	504742	Hubmagnet Türverschluss EB30	Living magnet shutter
20	883735	Stützwinkel EB 30 EB 30 XL 05	Support angle
21	026999	Scheibe DIN 9021 4,3 V2A	Washer DIN 9021 4,3 V2A
22	050849	Zahnscheibe DIN 6797 J4,3 V2A	Lock washer DIN 6797 J4,3 V2A
23	570923	Sechskantschraube DIN 933 M4X6 V2A	Hexagon head srew DIN 933 M4X6 V2A
24	251836	Sechskantschraube DIN 933 M6X10 V2A	Hexagon head srew DIN 933 M6X10 V2A
25	892912	Zahnscheibe DIN 6797 J6,4 V2A	Lock washer DIN 6797 J6,4 V2A
26	000582	Scheibe DIN 9021 6,4 V2A	Washer DIN 9021 6,4 V2A
27	878723	Glasscheibe innen kpl EB 30	Glas door inside EB 30
	877670	Glasscheibe innen kpl EB 30 XL	Glas door inside EB 30 XL
28	878189	Tür mont EB 30 RA ohne Türkontakt	Door mounted EB 30 RA without lever switch
	886351	Tür mont EB 30 LA ohne Türkontakt	Door mounted EB 30 LA without lever switch
	877573	Tür mont EB 30 XL RA ohne Türkontakt	Door mounted EB 30 XL RA without lever switch
	886343	Tür mont EB 30 XL LA ohne Türkontakt	Door mounted EB 30 XL without lever switch
	878545	Tür mont EB 30 RA mit Türkontakt (8, 10, 11, 12)	Door mounted EB 30 RA 05 with lever switch(8, 10, 11, 12)
	886386	Tür mont EB 30 LA mit Türkontakt (8, 10, 11, 12)	Door mounted EB 30 LA with lever switch(8, 10, 11, 12)
	878197	Tür mont EB 30 XL RA mit Türkontakt (8, 10, 11, 12)	Door mounted EB 30 XL RA with lever switch(8, 10, 11, 12)
	886378	Tür mont EB 30 XL LA mit Türkontakt (8, 10, 11, 12)	Door mounted EB 30 XL LA with lever switch(8, 10, 11, 12)
		alle (28.1, 27, 1, 2, 3, 4, 5, 6, 7, 9, 30, 31, 32, 33, 34)	all of them (28.1, 27, 1, 2, 3, 4, 5, 6, 7, 9, 30, 31, 32, 33, 34)
28.1	884472	Aussenscheibe kpl EB 30	Glass pane out side EB 30
	877581	Aussenscheibe kpl EB 30 XL RAL 9006	Glass pane out side EB 30 XL
29	878693	Scharniersteg B kpl	Hibge support B
30	879002	Holmkappe Türlager	Bearing inset door
31	878111	Halogen Lampenfassung	Halogen lamp holder
32	011754	Linsenblechschraube DIN 7981 B2,9X13 V2A	Slotted pan head screw DIN 7981 B2,9X13 V2A
33	571954	Halogenlampe 12V 10W EB 30	Halogen lamp 12V 10W EB 30
	570478	Halogenlampe 12V 20W EB 30 XL	Halogen lamp 12V 20W EB 30 XL
34	877646	Reflektorblech	Reflector sheet
35	875023	Rastscheibe	Rest disk
36	878685	Scharniersteg A kpl	Hinge support A
37	885479	Kabelabdeckung EB 30 EB 30 XL	Covering cable
38	253863	Schlauch D4x2 Silikon	Hose D 4x2
39	877727	Kabeldurchführung 5x7x11	Cable bushing 5x7x11
40	593567	Loctite 511 Gewindedichtung	Loctite 511 sealing material

EB 30 - EB 30 XL digital - electronic I
BG Bedienteil - Assembly control unit



1	581496	Vorschaltkondensator	Series capacitor
2	897485	Kontaktgeber	Contactactor
3	581488	Glühlampe 1,2 W 48V	Lamp 1,2 W 48 V
4	897493	Drucktaster	Push button
5	590282	Steuerungstastatur EB 30/EB 30 XL digital	Key bord EB 30 digital
6	749842	Sicherungsmutter DIN 985 M3 V2A	Lock nut M3
7	357189	Scheibe PA 6,6 DI 3,2 X DA 7 X 0,5	Washer PA 6,6 DI 3,2 X DA 7 X 0,6
8	586374	Distanzhülse D6 D10 L7,5	Spacer d6 D10 L7,5
9	587265	Dichtprofil weiss 9 X 3.5 mm	Sealing profile
10	764221	Blende kpl EB 30 digital RAL 3003	Operating panel EB 30 digital RAL 3003
	766852	Blende kpl EB 30 digital RAL 3003 Wassertank	Operating panel EB 30 digital RAL 3003 Wassertank
	764051	Blende kpl EB 30 ele I RAL 3003	Operating panel EB 30 ele I RAL 3003
	764167	Blende kpl EB 30 ele I RAL 3003 Wassertank	Operating panel EB 30 ele I RAL 3003 Wassertank
	764213	Blende kpl EB 30 digital RAL 9006	Operating panell EB 30 digital RAL 9006
	766836	Blende kpl EB 30 digital RAL 9006 Wassertank	Operating panel EB 30 digital RAL 9006 Wassertank
	764078	Blende kpl EB 30 ele I RAL 3006	Operating panel EB 30 ele I RAL 3006
	764175	Blende kpl EB 30 ele I RAL 9006 Wassertank	Operating panel EB 30 ele I RAL 9006 Wassertank
	766658	Blende kpl EB 30 XL digital RAL 3003	Operating panel EB 30 XL digital RAL 3003
	768448	Blende kpl EB 30 XL digital RAL 3003 Wassertank	Operating panel EB 30 XL digital RAL 3003 Wassertank
	764094	Blende kpl EB 30 XL ele I RAL 3003	Operating panel EB 30 XL ele I RAL 3003
	764191	Blende kpl EB 30 XL ele I RAL 3003 Wassertank	Operating panel EB 30 XL ele I RAL 3003 Wassertank
	764256	Blende kpl EB 30 XL digital RAL 9006	Operating panel EB 30 XL digital RAL 9006
	768375	Blende kpl EB 30 XL digital RAL 9006 Wassertank	Operating panel EB 30 XL digital RAL 9006 Wassertank
	764140	Blende kpl EB 30 XL ele I RAL 9006	Operating panel EB 30 XL ele I RAL 9006
	764205	Blende kpl EB 30 XL ele I RAL 9006 Wassertank	Operating panel EB 30 XL ele I RAL 9006 Wassertank
10.1	769525	Klappe kpl EB 30 digital RAL 3003	Flap kpl EB 30 digital RAL 3003
	769533	Klappe kpl EB 30 digital RAL 9006	Flap EB 30 kpl digital RAL 9006
	768456	Klappe kpl EB 30 ele I RAL 3003	Flap kpl EB 30 ele I RAL 3003
	768766	Klappe kpl EB 30 ele I RAL 9006	Flap kpl EB 30 ele I RAL 9006
10.2	769908	Federschnapper mit Klebefolie	Spring catch adhesive
10.3	003913	Linsenschraube DIN 7985 M3x5 V2A	Lens head screw DIN 7985 M3x5 V2A
11	886181	Linsenschraube Innensechskant ISO7380 M3X16 V2A	Lens head screw hexagon ISO 7380 M3x16 V2A
12	886254	Federschnapper	Spring catch
13	553395	Scheibenmutter M4 V2A	Disk nut M4 V2A
14	883816	Auflage Schnappverschluss EB 30	Base snap fit
15	050849	Zahnscheibe DIN 6797 J4,3 V2A	Lock washer DIN 6797 J4,3 V2A
16	001015	Linsenschraube DIN 7985 M4x8 V2A	Lens head screw DIN 7985 M4x8 V2A
17	590029	Einlegeschild eloma	Symbol
18	590037	Tasterkappe rund	Key button
19	765651	Sechskantmutter M9X0,75	Hexagon nut M9X0,76
20	503932	O-Ring 6x1	O-Ring 6x1
21	590568	Scheibe Drehknopf D 50	Fitted washer knob
22	590533	Drehknopf D=50 grau RAL 7037	Rotary knob gray RAL 7037
23	590541	Deckel Drehknopf	Cap
24	786993	CPU/Netzplatine EB 30 ele I	Mainboard
25	363219	Sechskantabstandsbolzen M3X12 MS vernickelt	Spacer
26	783196	Steuerungstastatur EB 30/EB 30 XL	Key bord EB 30 ele I
27	897876	Einschubstreifen 1-5	Stripe 1-5
28	897884	Einschubstreifen 6-0	Stripe 6-0
29	335363	Federklammer	Clamping spring

EB 30 - EB 30 XL digital - electronic I
 BG Motor/Heizung - Assembly motor/heating

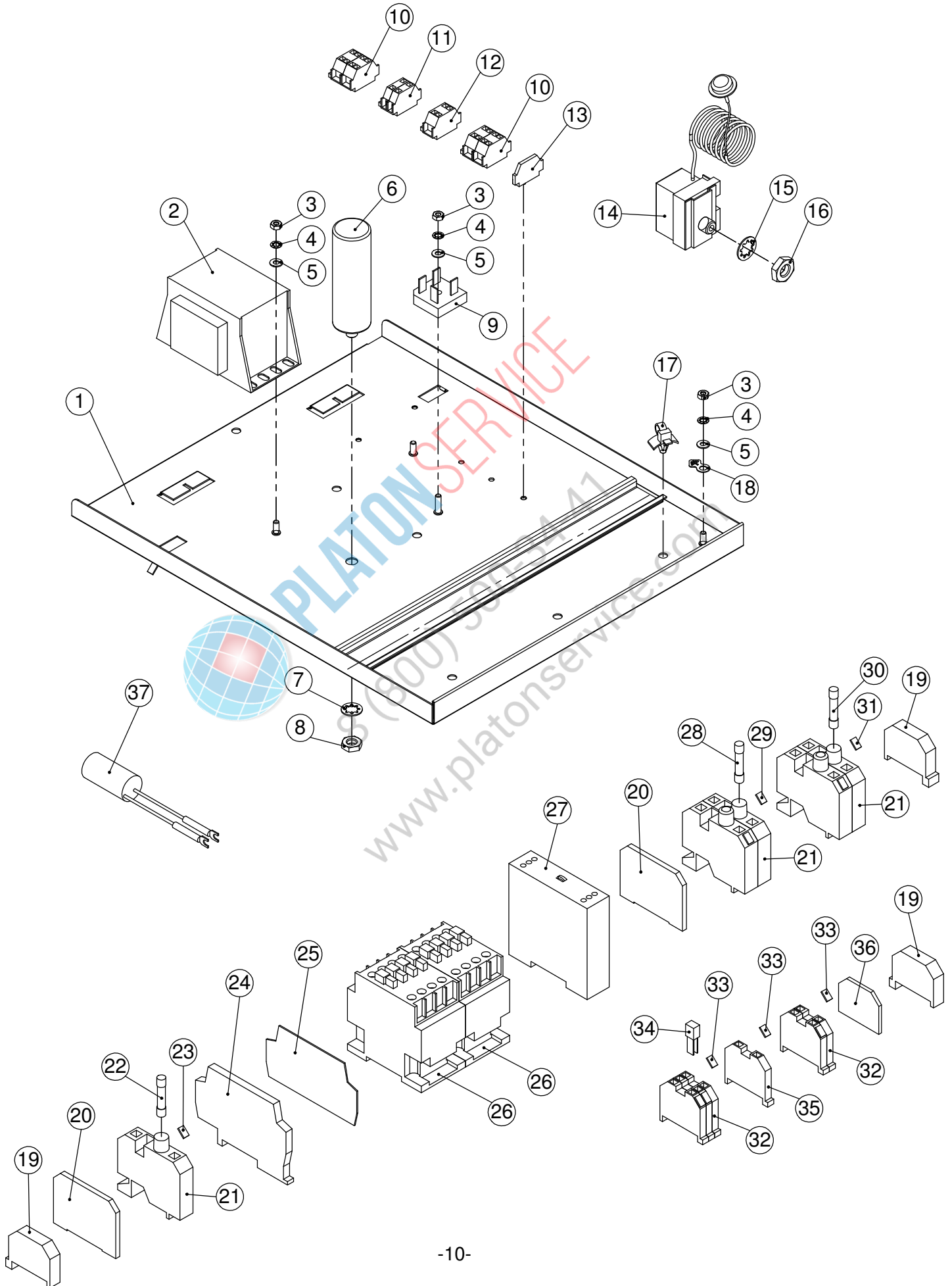


1	693286	Motor EB 30/EB 30 XL	Motor EB 30/EB 30 XL
2	252867	Sechskantmutter DIN 934 M5 V2A	Hexagon nut DIN 934 M5 V2A
3	304816	Zahnscheibe DIN 6797 J5,3 V2A	Lock washer DIN 6797 J5,3 V2A
4	003980	Scheibe DIN 125 A5,3 V2A	Washer DIN 125 A5,3 V2A
5	585874	Motorabstandsbuchse EB 30 d2k 623	Motor spacer
6	693359	Sechskantschraube DIN 933 M5X50 V2A	Hexagon head srew DIN 933 M5X50 V2A
7	003905	Sechskantmutter DIN 934 M4 V2A	Hexagon nut DIN 934 M4 V2A
8	050849	Zahnscheibe DIN 6797 J4,3 V2A	Lock washer DIN 6797 J4,3 V2A
9	001007	Scheibe DIN 125 A4,3 V2A	Washer DIN 125 A4,3 V2A
10	877948	Motorisolierblech EB 30 EB 30 XL	Motor isolating sheet EB 30/EB 30 XL
11	897914	Wellendichtring	Shaft sealing ring
12	505056	O-Ring 26,64x2,62	O-Ring 26,64x2,62
13	693324	Wellendichtflansch EB 30 d2k 623	Shaft sealing support EB 30 d2k 623
14	014249	Linsensenkschraube DIN 966 M4X8 V2A	Rounded countersunk head screw DIN 966 M4x8 V2A
15	003743	Sechskantschraube DIN 933 M5X10 V2A	Hexagon head srew DIN 933 M5X10 V2A
16	693375	Gebälserad EB 30 d2k 623	Fan wheel EB 30/EB 30 XL
17	573663	Heizkörperblech	Sheet metal heating
18	590118	Heizkörper 3,4 KW EB 30	Heatingelement 3,4 KW EB 30
	693383	Heizkörper 3X1900W EB 30 XL	Heatingelement 3X1900W EB 30 XL
19	553395	Scheibenmutter M4 V2A	Disk nut M4 V2A
20	570621	NiCrNi Fühler	NiCrNi sensor
21	277665	Schlauchschelle NS Spannbereich 9-14	Hose clip D 14
22	336211	Tefloneinsatz NiCrNi Fühler	Inset teflon
23	035637	Sechskantmutter R 1/4 SW 19X6 Messing vernickelt	Hexagon nut R 1/4 SW 19X6
24	758574	Zahnscheibe DIN 6797 A12,5 V2A	Lock washer DIN 6797 A12,5 V2A
25	582247	Dichtring 13X19X1 DIN 7603 CU	Gasket 13x19x1
26	336394	Schutzsieb NiCrNi Fühler	Protection grid
27	287695	Halter STB	Support STB
28	504602	Sicherheitstemperaturbegrenzer	Safety temperature limiter
29	373079	Zentrierbuchse STB	Centric bush
30	872849	Silikonkleber Novasil S25 Kartusche 80 ml	Silicon adhesives Novasil S25 cartridge 80ml



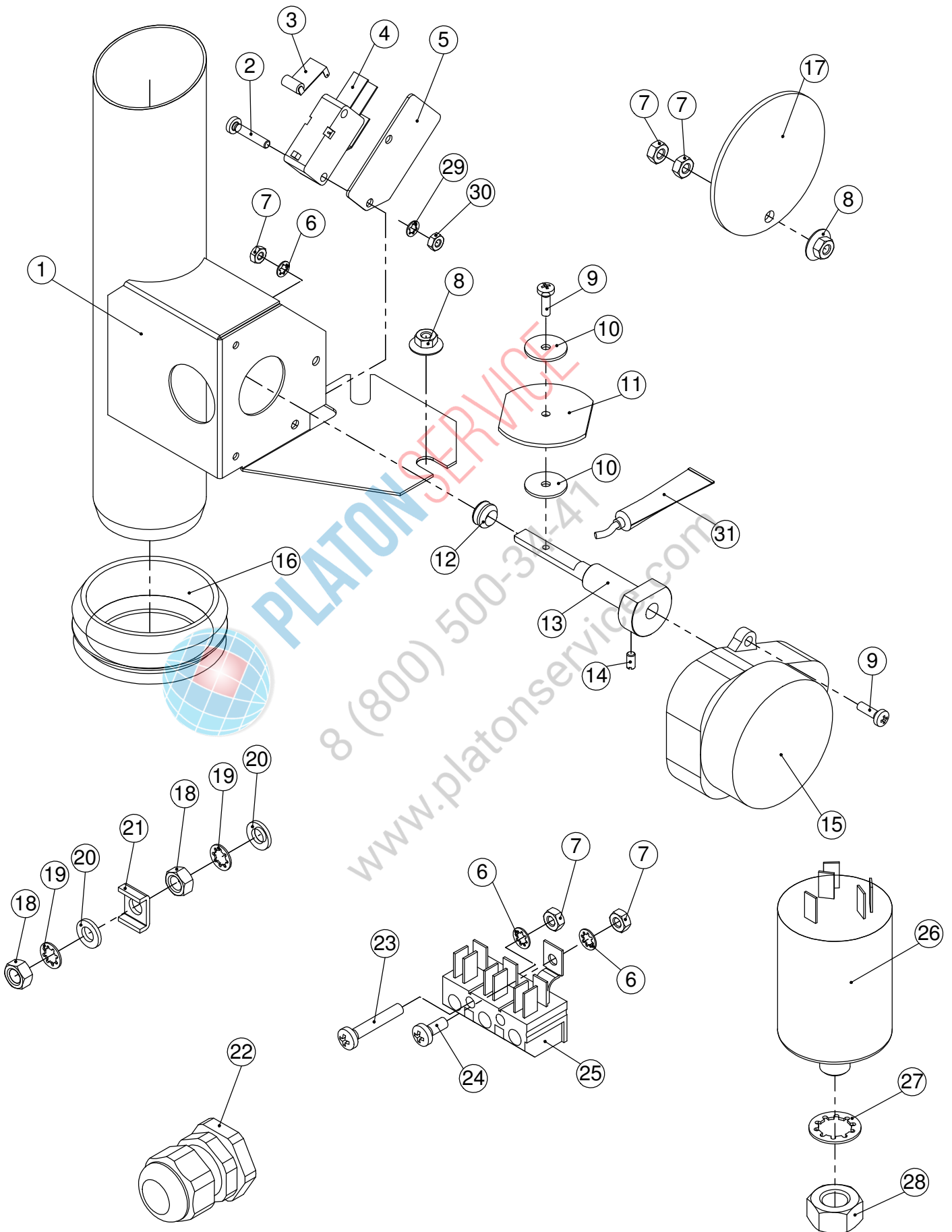
PLATON SERVICE
 8 (800) 500 22 22
 www.platonservice.com

EB 30 - EB 30 XL digital - electronic I
 BG Elektromontageplatte - Assembly electric sheets



1	877506	Elektromontageblech EB 30 - EB 30 XL	Mounting plate control unit EB 30/EB 30 XL
2	572217	Transformator	Transformer
3	003905	Sechskantmutter DIN 934 M4 V2A	Hexagon nut DIN 934 M4 V2A
4	050849	Zahnscheibe DIN 6797 J4,3 V2A	Lock washer DIN 6797 J4,3 V2A
5	001007	Scheibe DIN 125 A4,3 V2A	Washer DIN 125 A4,3 V2A
6	693480	Kondensator 3myF	Capacitor 3myF
7	892920	Zahnscheibe DIN 6797 J8,4 V2A	Lock washer DIN 6797 J8,4 V2A
8	012157	Sechskantmutter niedrig DIN 439 M8 V2A	Hexagon nut DIN 439 M8 V2A
9	570532	Brückengleichrichter	Bridge rectifier
10	571075	Klemme 4 Leiter grau mit Rastfuss	Clamp grey 4 conductors
11	553549	Klemme 2-Leiter grau mit Flansch	Clamp grey 2 conductors
12	513997	Klemme mit Rastfuss 4-Leiter blau	Clamp blue 4 conductors
13	570907	Abschlussplatte mit Rastfuss	End plate
14	503630	Sicherheitstemperaturbegrenzer 1-POL. 305°	Safety temperature limiter
15	897035	Zahnscheibe DIN 6797 J10,5 V2A	Lock washer DIN 6797 A10,5 V2A
16	756091	Sechskantmutter niedrig DIN 439 M10X1 V2A	Hexagon nut DIN 439 M10X1 V2A
17	388017	Kabelbinder lösbar	Lacing cord
18	553182	Erdungszeichen für M4	Label grounding M4
19	337676	Endklammer 10mm	End clamp 10mm
20	327514	Abschlussplatte grau 4mm	End plate 4 qmm grey
21	761206	Sicherungselement	Safety-element
22	765368	Feinsicherung 4 A träge (EB 30)	Fine fuse 4 A slow (EB 30)
	768006	Feinsicherung 6,3 A UL (EB 30 XL)	Fine fuse 6,3 A UL (EB 30 XL)
23	765406	Bezeichnungstreifen 4 A (EB 30)	Label "4 A" (EB 30)
	570737	Bezeichnungstreifen 6,3 A (EB 30 XL)	Label "6,3 A" (EB 30 XL)
24	764116	Hilfsrelais 12 V DC (Türgriffschalter)	Auxiliary relay 12 V (Lever switch)
25	752452	Abschlussplatte (Türgriffschalter)	End plate (Lever switch)
26	523909	Schütz A9-30-10	Contactora A 9-30-10
27	780421	Zeitrelais (digital)	Timing relay (digital)
28	761222	Feinsicherung 2 A	Fine fuse 2 A
29	580511	Bezeichnungstreifen 2A	Label "2 A"
30	768006	Feinsicherung 6,3 A	Fine fuse 6,3 A
31	570737	Bezeichnungstreifen 6,3A	Label "6,3 A"
32	572055	Klemme 4 qmm grau (EB 30 XL)	Clamp 4 qmm grey (EB 30 XL)
33	580546	Bezeichnungstreifen LO (EB 30 XL)	Label "LO" (EB 30 XL)
34	303089	Querbrücker 4qmm (EB 30 XL)	Bridge 4qmm (EB 30 XL)
35	571067	Klemme 4 qmm blau (EB 30 XL)	Clamp 4 qmm blue (EB 30 XL)
36	570966	Abschlussplatte Klemme 4 qmm (EB 30 XL)	End plate 4 qmm (EB 30 XL)
37	338419	Entstörkondensator	Anti-interference capacitor

EB 30 - EB 30 XL digital-electronic I
BG Abluft - Assembly outlet air

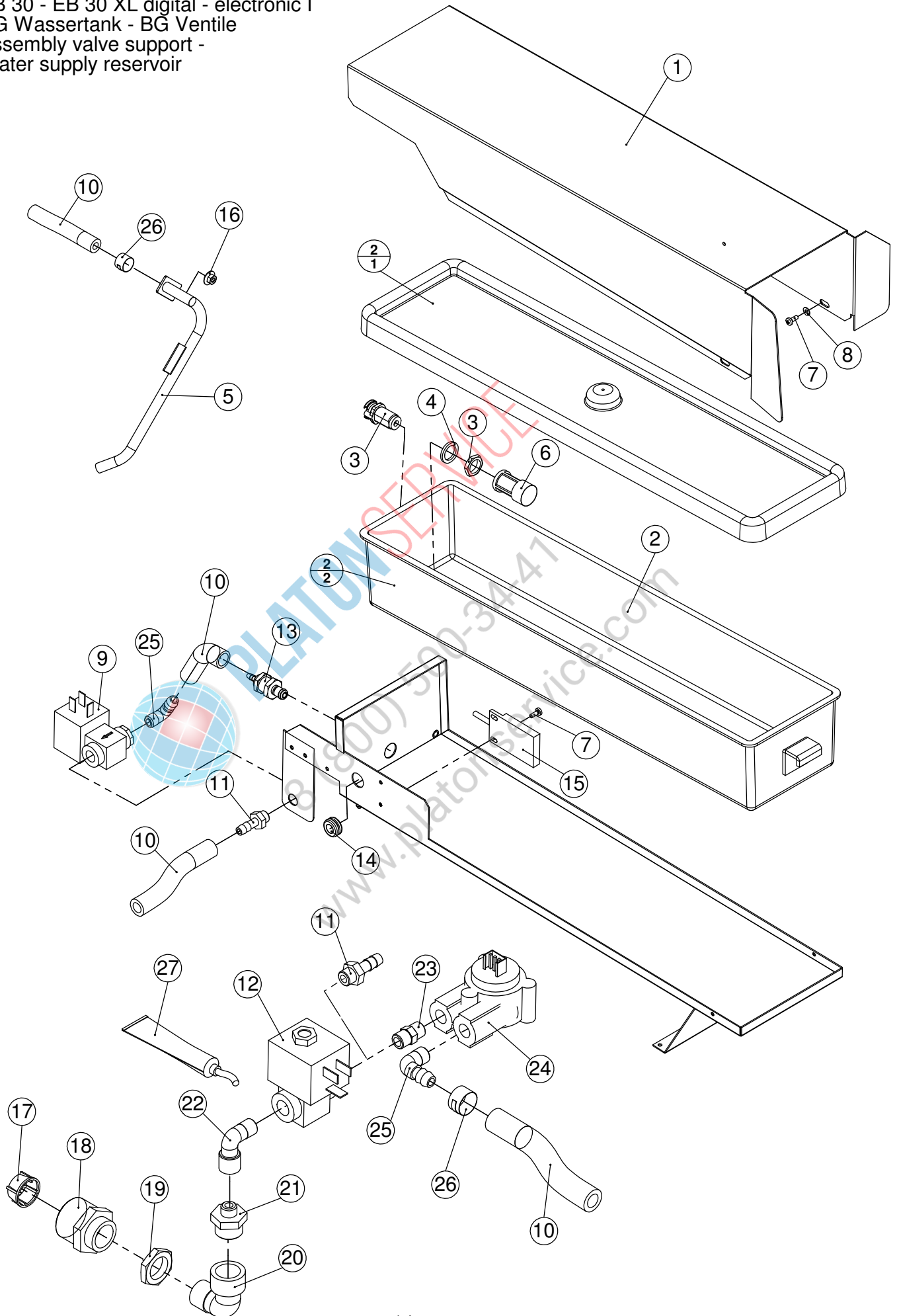


1	876089	Abluftrohr kpl EB 30 d2k 623	Exhaust air pipe EB 30 d2k 623
2	162469	Linsenschraube DIN 7985 M3X16 VA2	Lens head screw DIN 7985 M3X16 VA2
3	570788	Federhebel mit Rolle	Spring leaf actuator with roller
4	570540	Mikroschalter	Microswitch
5	587133	Isolierplatte Mikroschalter	Insulating slab microswitch
6	050849	Zahnscheibe DIN 6797 J4,3 V2A	Lock washer DIN 6797 J4,3 V2A
7	003905	Sechskantmutter DIN 934 M4 V2A	Hexagon nut DIN 934 M4 V2A
8	553395	Scheibenmutter M4 V2A	Disk nut M4 V2A
9	014028	Linsenschraube DIN 7985 M3x10 V2A	Lens head screw DIN 7985 M3x10 V2A
10	876127	Verstärkungscheibe Abluft EB 30 d2k 623	Exhaust air flap
11	876119	Dichtung Abluftrohr EB 30 d2k 623	Gasket drain EB 30 d2k 623
12	781851	Dichtring d=6	Gasket ring
13	876100	Welle Luftklappe EB 30 d2k 623	Shaft Air flap EB 30 d2k 623
14	530948	Gewindestift DIN 551 M3X6 V2A	Threaded pin DIN 551 M3X6 V2A
15	781894	Getriebemotor M51 230 V W01	Gear motor
16	155349	Dichtring Ablaufrohr DN 40	Gasket DN 40
17	516694	Platte Abluft EB 30/EB 30 XL	Plate outlet air
18	251887	Sechskantmutter DIN 934 M6 V2A	Hexagon nut DIN 934 M6 V2A
19	892912	Zahnscheibe DIN 6797 J6,4 V2A	Lock washer DIN 6797 J6,4 V2A
20	004014	Scheibe DIN 125 A6,4 V2A	Washer DIN 125 A6,4 V2A
21	223697	Klemmbügel M6	Support bridge M6
22	580465	Verschraubung PG 16 mit Gegenmutter	Connection PG 16
23	010642	Linsenschraube DIN 7985 M4X25 V2A	Lens head screw DIN 7985 M4X25 V2A
24	010502	Linsenschraube DIN 7985 M4x10 V2A	Lens head screw DIN 7985 M4x10 V2A
25	590223	Netzanschlussklemme EB 30	Connection terminal EB 30
	553298	Netzanschlussklemme EB 30 XL	Connection terminal EB 30 XL
26	586013	Entstörfilter	Interference filter
27	758574	Zahnscheibe DIN 6797 A12,5 V2A	Lock washer DIN 6797 A12,5 V2A
28	012343	Sechskantmutter DIN 934 M12 V2A	Hexagon nut DIN 934 M12 V2A
29	050822	Zahnscheibe DIN 6797 J3,2 V2A	Lock washer DIN 6797 J3,2 V2A
30	000396	Sechskantmutter DIN 934 M3 V2A	Hexagon nut DIN 934 M3 V2A
31	371327	Loctite 542 Gewindedichtung	Loctite 542 sealing material



8 (800) 500 222 222
www.platonservice.com

EB 30 - EB 30 XL digital - electronic I
 BG Wassertank - BG Ventile
 Assembly valve support -
 Water supply reservoir



1	886947	Spritzschutzhaube Wassertank EB 30 EB 30 XL	Sheet metal hood water supply reservoir
2	896578	Wassertank EB 30 EB 30 XL	Water supply reservoir EB 30 EB 30 XL
2.1	500933	Deckel Wassertank	Cover water supply reservoir EB 30 EB 30 XL
2.2	764019	Wassertank gebohrt	Water supply reservoir EB 30 EB 30 XL
3	763810	Kupplung gekürzt	Coupling shourted
4	002844	Dichtung D 18	Gasket D 18
5	693391	Wasserzulaufrohr Backraum EB 30	Water pipe EB 30
	882771	Wasserzulaufrohr Backraum EB 30 XL	Water pipe EB 30 XL
6	764027	Ansaugsieb Wassertank	Suction filter supply reservoir
7	010383	Linsenschraube DIN 7985 M3X8 V2A	Lens head screw DIN 7985 M3X8 V2A
8	000965	Scheibe DIN 125 A3,2 V2A	Washer DIN 125 A3,2 V2A
9	514691	Magnetventil 2/2 Wege	Solenoid 2/2
10	593311	Silikonschlauch D6X3 transparent	Silicon hose D6X3
11	586943	Einschraubtülle gerade	Hose connection
12	374806	Magnetventil	Solenoid valve
13	896543	Stecker Tank	Coupler connector
14	045438	Membrantülle	Spout
15	895474	Niveausensor	Level controller
16	553395	Scheibenmutter M4 V2A	Disk nut M4 V2A
17	249688	Sieb weiß	Filter
18	249696	Reduzierstück	Reduction
19	035599	Sechskantmutter R 3/8 Zoll MS vernickelt SW 24	Hexagon nut R 3/8 Zoll MS SW 25
20	577324	Rohrwinkel 90°	One quarter tubing
21	570451	Doppel-Reduziernippel 1/8-3/8	Reducing joint
22	773719	Winkelstück G 1/8"	Connector G 1/8"
23	754447	Doppelnippel	Double nipple
24	897264	Durchflussmengenmesser	Flowmeter
25	292605	Winkeleinschraubtülle G1/8 D6	Hose connector
26	276634	Schlauchschelle Spannungsbereich 14-19	Hose clip D 19
27	593567	Loctite 511 Gewindedichtung	Loctite 511 sealing material



PLATON SERVICE
 8 (800) 500 2241
 www.platonservice.com

EB 30 - EB 30 XL digital - electronic I
Kabelbaum, Anschlusskabel, Schaltplan -Cable harness, connection diagram, connection cable, support

188921	Anschlusskabel EB 30	Connection cable
553271	Anschlusskabel EB 30 XL	Connection cable 5 x 1,5 qmm
873969	Kabelbaum Steuerung EB 30 ele I 05	Cable harness controls EB 30 ele I 05
873977	Kabelbaum Steuerung EB 30 XL ele I 05	Cable harness controls EB 30 XL ele I 05
874116	Kabelbaum Steuerung EB 30 digital 05	Cable harness controls EB 30 digital 05
874124	Kabelbaum Steuerung EB 30 XL digital 05	Cable harness controls EB 30 XL digital 05
874043	Kabelbaum Verlängerung EB 30/EB 30 XL 05 LA	Extension cable EB 30 EB 30 XL 05 LA
593907	Kabel Türgriff mont	Cable door latch
297089	Kabel kpl. Sternbrücke EB 30 XL	Cable star bridge
874051	Kabelbaum Durchflusszähler EB 30 EB 30 XL 05	Cable harness flowmeter
593567	Loctite 511 Gewindedichtung	Loctite 511 sealing material
371327	Loctite 542 Gewindedichtung	Loctite 542 sealing material
e910169	Schaltplan EB 30 ele I	Connection diagram EB 30 ele I
e910170	Schaltplan EB 30 XL ele I	Connection diagram EB 30 XL ele I
e910178	Schaltplan EB 30 digital	Connection diagram EB 30 digital
e910179	Schaltplan EB 30 XL digital	Connection diagram EB 30 XL digital
872849	Sillikonkleber Novasil S 25 80 ml	Silicone Novasil S 25 80 ml
e910169	Schaltplan EB 30 ele I	Connection diagram EB 30 ele I
e910170	Schaltplan EB 30 XL ele I	Connection diagram EB 30 XL ele I
e910178	Schaltplan EB 30 digital	Connection diagram EB 30 digital
e910179	Schaltplan EB 30 XL digital	Connection diagram EB 30 XL digital
877964	Isoliersatz EB 30 XL	Insulation EB 30 XL
877980	Isoliersatz EB 30	Insulation EB 30



PLATON SERVICE
 8 (800) 500-34-41
 www.platonservice.com



PLATONSERVICE

8 (800) 500-34-41

www.platonservice.com



PLATONSERVICE

8 (800) 500-34-41

www.platonservice.com

897728
Vers. 1.3

22.05.2006
13.02.07

pl
Technische Änderungen vorbehalten !

eloma

AGA

FOODSERVICE EQUIPMENT

Eloma GmbH · Innovative Koch- und Backtechnik · Otto-Hahn-Straße 10 · 82216 Maisach / Germany
Phone: +49 (0) 8141 395-0 Fax: +49 (0) 8141 395-130 · info@eloma.com · www.eloma.com